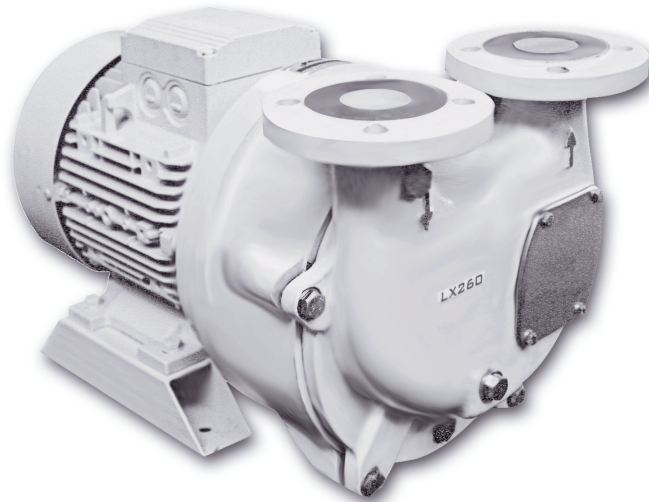


Dolphin

LX 0030 A - LX 0430 A



LX 0260 A

Description

Our Dolphin LX range of liquid ring vacuum pumps are designed and built with both user and OEM in mind.

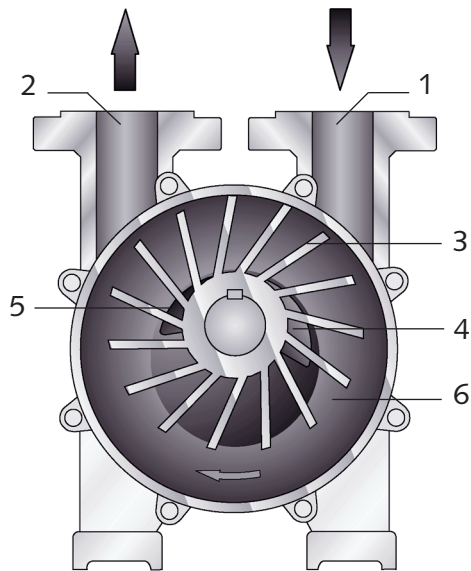
The Dolphin is well suited for wet and corrosive applications. It combines the benefits of high efficiency from a compact rugged machine, and reduced running cost from a competitive product.

Features

- Ultimate pressure of 25 torr (29" Hg Vac)
- Access cover for easy internal inspection
- Compact, single stage design
- High efficiency
- Low service liquid requirements
- Well suited for wet applications
- Cast iron housing, with bronze impeller
- Variable discharge port
- Mechanical shaft seals
- Rugged construction
- Only one moving part
- Low maintenance
- Low vibration
- Minimum noise levels
- Minimum heat emission
- Optional materials available upon request

Liquid Ring Vacuum Pump

Operating Principle



1. Inlet
2. Outlet
3. Impeller
4. Inlet Port
5. Outlet Port
6. Liquid Ring

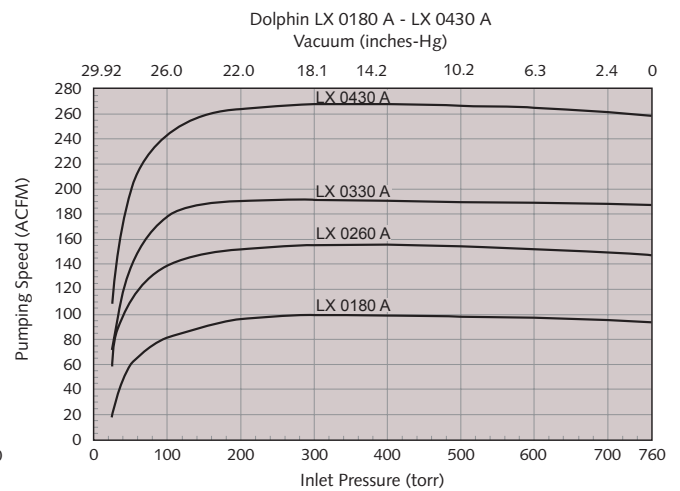
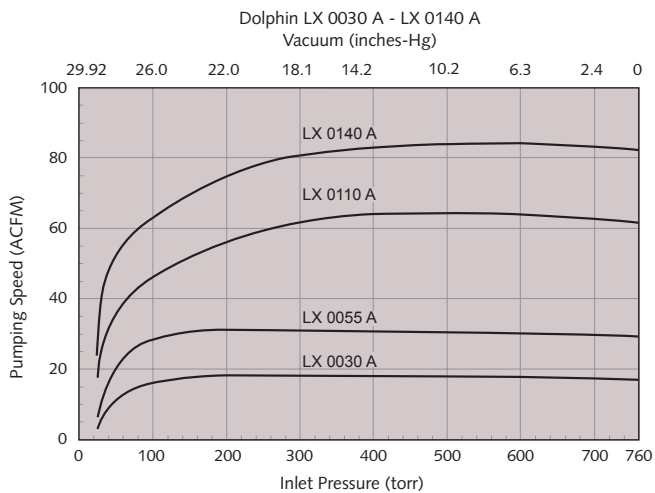
Operating Principle

Liquid ring pumps operate with only one moving part, the impeller shaft assembly. The impeller is mounted eccentrically relative to its casing. The liquid ring is formed by the service liquid (normally water) rotating concentrically in its casing. Process gas enters through the suction port, travels between the impeller blades and is compressed prior to exhausting through the discharge port along with a quantity of service liquid.

Areas of Application

- Autoclaves
- Automotive
- Chemicals
- De-aerating
- Distillation
- Dryers
- Food
- Filtration
- Hospitals
- Impregnation
- Packaging
- Milking Machines
- Molding
- Plastics
- Pharmaceuticals
- Paints
- Paper
- Solvent Recovery
- Soaps
- Tobacco
- Timber Treatment
- Textiles

Pumping Speed vs. Inlet Pressure



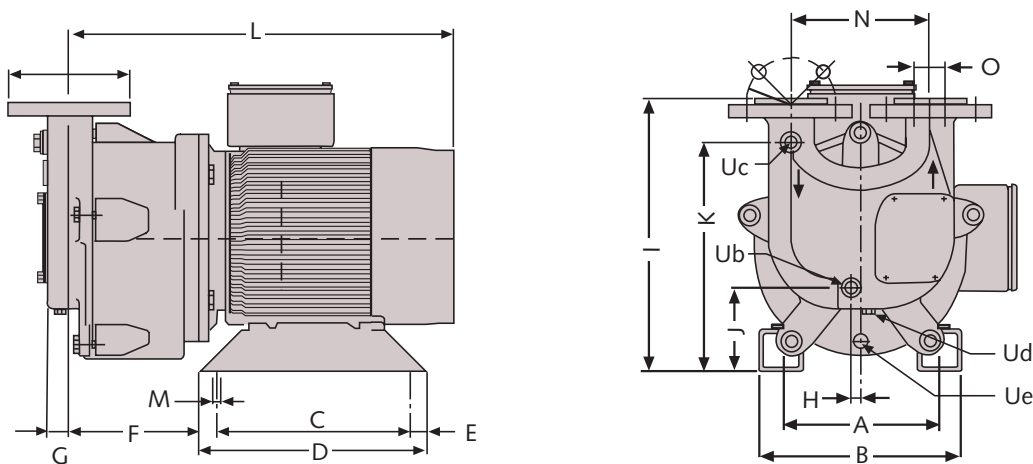
All data based on dry air @ 68°F, and water as sealing fluid with 59°F ring temperature.

Technical Data		LX 0030	LX 0055	LX 0110	LX 0140	LX 0180	LX0260	LX 0330	LX0430
Nominal pumping speed	ACFM	18	31	64	84	99	155	191	268
Ultimate pressure	Torr	25	25	25	25	25	25	25	25
Motor size	kw (HP)	1.1 (1.5)	2.2 (3)	3 (4)	4 (5.4)	5.5 (7.5)	7.5 (10)	11 (15)	15 (20)
Nominal motor speed	RPM	3500	3500	1750	1750	1750	1750	1750	1750
Typical service liquid flow	GPM	.75	1.25	3	3.5	4	5	6.5	8
Max. service liquid temperature	°F	104	104	104	104	104	104	104	104
Max. gas inlet temperature	°F	104	104	104	104	104	104	104	104
Approximate weight	Lbs.	55	72	121	154	165	256	291	436
Sound level rating*	dB(A)	70	70	70	70	70	72	72	72

Performance data based on ambient conditions of 14.7 PSIA and 70° F, and have a tolerance of +/- 10%.

*DIN EN ISO 2151

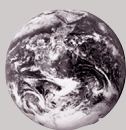
Dimensions



All dimensions in inches unless otherwise noted.

Dimensions	A	B	C	D	E	F	G	H	I	J	K	L	M	N	O
LX 0030 A	4 ¹ / ₁₆	6 ¹ / ₈	6 ¹ / ₈	7 ⁵ / ₁₆	9 ¹ / ₁₆	4 ¹ / ₂	7 ⁷ / ₈	0	8 ¹ / ₄	4 ¹⁵ / ₁₆	10 ¹³ / ₁₆	12 ¹³ / ₁₆	3 ³ / ₈	3 ¹⁵ / ₁₆	1" NPT
LX 0055 A	5 ¹ / ₂	6 ¹¹ / ₁₆	6 ⁷ / ₈	7 ⁷ / ₈	1 ¹ / ₂	5 ⁷ / ₈	7 ⁷ / ₈	0	8 ¹ / ₁₆	4 ¹ / ₈	10 ⁵ / ₈	15 ¹¹ / ₁₆	3 ³ / ₈	3 ¹⁵ / ₁₆	1" NPT
LX 0110 A	6 ⁵ / ₁₆	8 ¹ / ₄	9 ¹ / ₈	10 ¹³ / ₁₆	1 ³ / ₁₆	5 ¹¹ / ₁₆	1 ¹ / ₈	7 ⁷ / ₁₆	12 ³ / ₈	3 ¹ / ₂	10 ⁷ / ₁₆	17 ¹ / ₄	3 ³ / ₈	6 ¹¹ / ₁₆	1.5" ANSI
LX 0140 A	7 ¹ / ₂	9 ⁷ / ₁₆	9 ¹ / ₈	10 ¹³ / ₁₆	1 ³ / ₁₆	6 ⁹ / ₁₆	1 ¹ / ₈	7 ⁷ / ₁₆	12 ⁷ / ₈	4	10 ⁷ / ₈	17 ¹ / ₄	3 ³ / ₈	6 ¹¹ / ₁₆	1.5" ANSI
LX 0180 A	7 ¹ / ₂	9 ⁷ / ₁₆	9 ¹ / ₈	10 ¹³ / ₁₆	1 ³ / ₁₆	7 ¹ / ₈	1 ¹ / ₈	7 ⁷ / ₁₆	12 ⁷ / ₈	4	10 ⁷ / ₈	19 ¹ / ₂	3 ³ / ₈	6 ¹¹ / ₁₆	1.5" ANSI
LX 0260 A	8 ¹ / ₂	10 ¹ / ₂	10 ⁵ / ₈	12 ³ / ₁₆	1 ³ / ₁₆	8 ¹³ / ₁₆	1 ⁵ / ₁₆	7 ⁷ / ₁₆	14 ¹ / ₁₆	4 ⁵ / ₁₆	12 ¹ / ₁₆	23 ¹ / ₄	9 ⁹ / ₁₆	7 ⁷ / ₈	2" ANSI
LX 0330 A	8 ¹ / ₂	10 ¹ / ₂	10 ⁵ / ₈	12 ³ / ₁₆	1 ³ / ₁₆	9 ¹³ / ₁₆	1 ⁵ / ₁₆	7 ⁷ / ₁₆	14 ¹ / ₁₆	4 ⁵ / ₁₆	12 ¹ / ₁₆	24 ¹ / ₄	9 ⁹ / ₁₆	7 ⁷ / ₈	2" ANSI
LX 0430 A	10	13 ¹ / ₈	15 ¹⁵ / ₁₆	18 ⁵ / ₁₆	1 ³ / ₁₆	10 ¹ / ₁₆	1 ⁵ / ₁₆	3 ³ / ₈	17 ⁵ / ₁₆	6 ¹ / ₁₆	14 ³ / ₈	28 ⁷ / ₁₆	9 ⁹ / ₁₆	9 ⁷ / ₁₆	2.5" ANSI

	LX0030-LX0055	LX0110-LX0430
Ub Service liquid connection	3/8" NPT	1/2" NPT
Uc Cavitation Protection (Plugged)	1/4" NPT	3/8" NPT
Ud Drain Connection (Plugged)	N/A	1/4" NPT
Ue Drain Connection (Plugged)	1/4" NPT	3/8" NPT



Busch - all over the world in industry

ISO 9001-2000 Registered Company

Busch, Inc. 516 Viking Drive Virginia Beach, VA 23452
 Phone (757) 463-7800 FAX (757) 463-7407

www.buschpump.com
 1-800-USA-PUMP